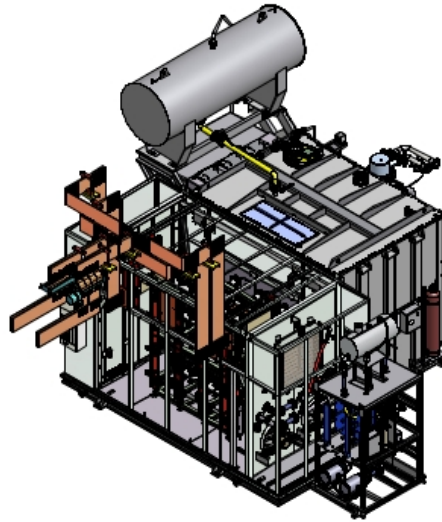


# Chemical Processes



## Transformer Rectifier General Specifications

Standards		ANSI / IEEE / IEC
Three-phase supply voltage main by customer	Vac	to 69000
Three-phase supply voltage on the secondary	Vac	to 1500
Maximum power	kVA	65000
Frequency	Hz	50-60
Rectifier Connection		Bridge or Star
Pulses		6 / 12 / 18 / 24 / 36 and more
Rectifier power section material		Aluminum or Copper
NLTC or OLTC		no load and on load tap changers
DC Current	A <sub>dc</sub>	200000
DC Voltage	V <sub>dc</sub>	1100
Control card type		Digital or Analog, hard wired or OPTO
PLC		Allen Bradely or Siemens, others available. Dial in Modem or Cellular modem for diagnostics
Accuracy of the constant current control system		±0.5%
Metering		Shunt / LEM / Primary CT
Rectifying elements		Thyristors / Diodes / IGBT
Transformer Cooling		Oil to Water / Oil to air
Transformer Oil Type		Mineral / FR3 / Silicon
Rectifier Cooling		Deionized Water to water / Deionized Water to air
Installation		indoor or outdoor
Rectifier Enclosure Type		Compact / Semi-walk in / Walk in
Transformer Manufacturer		Neeltran
Rectifier Manufacturer		Neeltran
Line Up Testing Available		Combined Test At Neeltran Factory

**Neeltran, Inc.**

860.350.5964 · 860.350.5024 fax | 71 Pickett District Road | New Milford, CT 06776, USA

